

Recessed CE5035

CE5035-A45



CE5035-A45

Basic Parameters

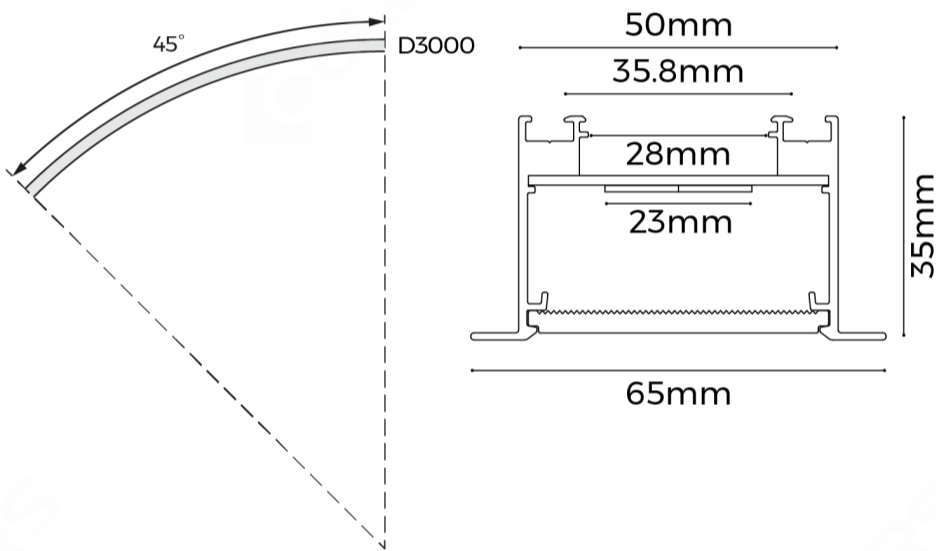
Application	Indoor
Material	AL6063-T5,spraying surface
IP Grade	IP20
Warranty	5 years

Electrical Parameters

Optical Parameters

SDCM	≤3 Step(ANSI)
Length	D3000mm
Luminous Efficacy	90LM/W

Dimensions

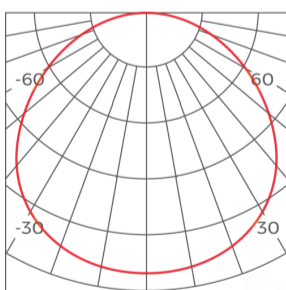


Luminaire Parameters

Version	Size(mm)	Power(W)	PCB Current(A)	CRI	CCT	Lumens(LM) @White, Sliver	Lumens(LM) @Black
Regular	D3000mm	28	1.17	>80	4000K	2520	2142
Regular	D3000mm	28	1.17	>90	4000K	2167	1841

Light Distribution

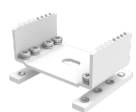
Regular-110°



h(m)	D(cm)	E(lx)
1	287	866
2	575	216
3	863	95
4	1151	53

Common Accessories

Splicing accessory



EX-E16

Applicable product model: CS5035/CE5035 Material process:SPCC/ Electroplating Size: L46.5*W30*H18mm Quantity: 1 PCS/SET Other:Includes mounting screws.

Dedicated light source



DM51202423

Applicable product model: CS5035/CS5070/CE5035(stick a single strip)
CS7035/CS7070/CE7035(paste two strips placed parallel to each other)
Size: 4000*23*1.5mm/5000*23*1.5mm
Cutting Unit:50mm
Input Voltage:DC24V
Typ.Power:14.4W/M(5M/roll); 24W/M(4M/roll)
Typ.luminous flux:
800LM/M@RGBNW(5M/roll)
1320LM/M@RGBNW(4M/roll)
CCT:RGB(DMX)+2700/RGB(DMX)+3000/RGB(DMX)+4000/RGB(DMX)+6000K
CRI: RA80 @ white light
Other:20# wire diameter,outer diameter 5.5mm, PVC material;5PIN red/black/green/blue/white wire



DS81602423

Applicable product model: CS5035/CS5070/CE5035(stick a single strip)
CS7035/CS7070/CE7035(paste two strips placed parallel to each other)
Size: 4000*23*1.5mm/5000*23*1.5mm
Cutting Unit:50mm
Input Voltage:DC24V
Typ.Power:14.4W/M(5M/roll); 24W/M(4M/roll)
Typ.luminous flux:
2300LM/M@RA80,4000k(5M/roll)
3600LM/M@RA80,4000k(4M/roll)
CCT: 2700/3000/3500/4000/5000/6500K
CRI: 80/90
Other:18# wire diameter,PVC material, 2PIN red-black wire



DS83202423

Applicable product model:CS5035/CS5070/CE5035(stick a single strip)
CS7035/CS7070/CE7035(paste two strips placed parallel to each other)
Size: 3000*23*1.5mm/4000*23*1.5mm
Cutting Unit:50mm/16LEDs
Input Voltage:DC24V
Typ.Power:
48W/M(2700K+6500K)@3M/roll
28.8W/M(2700K+6500K)@4M/roll
Typ.luminous flux:
4000LM/M@RA80,2700K+6500K(4M/roll)
6700LM/M@RA80,2700K+6500K(3M/roll)
CCT: 2700K+6500K
CRI: 80/90
Other:Outer diameter 6mm,18# wire diameter, brown-blue-green 3PIN crystal wire

Cover



CV-CS5035D

Applicable product model:CS5035/CS5070/CE5035(suitable for down-lighting) Diffuser Nature: Diffuser Material process: Silica gel flexible/frosting Light transmittance:≥55% Size: 20000*47*4mm Other: Fire protection rating UL94-V2 ;

Controller



CR2-GBA

Product Name: CR2-GBA Input Voltage: 12-48V Output Current:8A*2CH,Max 16A Output Power:192W/384W@12V/24V , 384W/576W@36V/48V Dimming Mode: Two-color 2.4 remote control IP:IP20 Product Size:L175*W45*H27(mm)



K-1000C

Product Name: K-1000C Input voltage: 5-24V Control Pixel Points:Point Control 1CH*1024(SPI),Point Control 1CH*512(DMX) Dimming mode:DMX/SPI control IP:IP20Warranty: 5 years



K-8000C

Product Name: K-8000C Input Voltage: 5-24V Control Pixel Points:Point Control 8CH*1024(SPI),Point Control 8CH*512(DMX) Dimming mode:DMX/SPI control IP:IP20Warranty: 5 years

End cap accessory



EC-ME5035

Applicable product model: ME5035 Material process: aluminum/ powder spraying Size: L65*W35*H2.5mm Quantity:2PCS/ set

Installation accessory



CP-54

Applicable product model: MS5035/MS5070/ME5035 Applicable installation: Pendant/Ceiling/Recessed Material process: Stainless Steel Size: L37.87*W20*H5.4mm Quantity: 4 PCS/SET



RB-04

Applicable product model: ME3535/ME5035/ME7035 Installation method: Recessed Material process: aluminum alloy/oil spray Size: 24*6.9*15.7mm Quantity: 4PCS/ set

CCT-Remote control



R7-1

Product Name:R7-1 Dual Color Remote Working Voltage : 3VDC (Battery CR2032 Operating Frequency:2.4GHz Remote Control Distance: 30 meters Operating Temperature: -30°C~55°C Product Size: L107*W58.5*H9(mm)

Power Supply



BK-DEV200-24V0D

Applicable product model: General
 Dimming mode: DALI2,PUSH-dimming,1-10V 3in1 dimming
 Size: 361*33.1*22.8mm
 Input voltage: AC200-240V
 Operating frequency: 50/60Hz
 PF value: ≥ 0.9
 Output voltage: DC24V
 Output current: $\leq 8.3A$
 Power: 200W
 Efficiency: 0.92
 Certification: TUV, CE, RCM
 Case material: Metal housing



BK-DGVX-24V0D

Product Name: BK-DGV036-24V0D/BK-DGV060-24V0D/BK-DGV100-24V0D
 Applicable product model: General
 Output power: 36W/60W/100W
 Output current: $\leq 1.5A/\leq 2.5A/\leq 4.2A$
 Product size: 245.0*30.0*21.0mm/285.0*30.0*21.0mm/355.0*30.0*21.0mm
 Input voltage: AC200-240V
 Operating frequency: 50/60Hz
 Output voltage: DC24V
 PF value: ≥ 0.9
 Efficiency: ≥ 0.88
 IP: IP20
 Dimming mode: DALI-2,PUSH-Dimming,1-10V 3in1 Dimming
 Certification: CE, ENEC, UKCA, RCM, CCC, EL
 Material: Metal housing
 Warranty: 5 years



BK-MEV200-24V0M

Applicable product model: General
 Dimming mode: 1-10V Dimming
 Size: 321.5*48*30mm
 Input voltage: AC200-240V
 Operating frequency: 50/60Hz
 PF value: ≥ 0.9
 Output voltage: DC24V
 Output current: $\leq 8.3A$
 Power: 200W
 Efficiency: 0.93
 Certification: CE, ENEC, UKCA, RCM, CCC, EL
 Case material: Metal housing



BK-MGVX-24V0M

Product Name: BK-MGV036-24V0M/BK-MGV060-24V0M/BK-MGV100-24V0M
 Applicable product model: General
 Output power: 36W/60W/100W
 Output current: $\leq 1.5A/\leq 2.5A/\leq 4.2A$
 Product size: 245.0*30.0*21.0mm/285.0*30.0*21.0mm/355.0*30.0*21.0mm
 Input voltage: AC200-240V
 Operating frequency: 50/60Hz
 Output voltage: DC24V
 PF value: ≥ 0.9
 Efficiency: ≥ 0.89
 IP: IP20
 Dimming mode: 1-10V Dimming
 Certification: TUV, CE, ENEC, RCM
 Material: Metal housing
 Warranty: 5 years



LF-GHYXH24

Applicable product model: General
 Dimming mode: Non-Dimming
 Size: 316*30.7*22.8mm / 361*33.1*22.8mm
 Input voltage: AC220-240V
 Operating frequency: 50/60Hz
 PF value: ≥ 0.9
 Output voltage: DC24V
 Output current: $\leq 4.25A / \leq 10A$
 Power: 100W / 240W
 Efficiency: 0.92
 Certification: ENEC, CE, CB, RCM, UKCA, MM, CCC
 Case material: Plastic

Packing

QTY/CTN	N. WT (ctn)	G.WT (ctn)	Size (cm/carton)	Product Size (mm)
12	17.7	19.5	118*52*21	D3000*50*35mm

Attentions

1. Non-professionals are prohibited from installing, disassembling and repairing the product.
2. Avoid scratching, distortion and irregular bending of the product during installation; otherwise it may cause irreparable damage to the product.
3. Please use professional cutting tools when cutting.
4. Do not use any acid or alkaline adhesive to fix products.
5. The product is only suitable for indoor dry places, can not be used in outdoor, seaside or wet environment.
6. PC features: Each 10°C rise or drop will make diffuser extend or shrink 0.8mm/m[0.01"/ft], please confirm before processing and use.